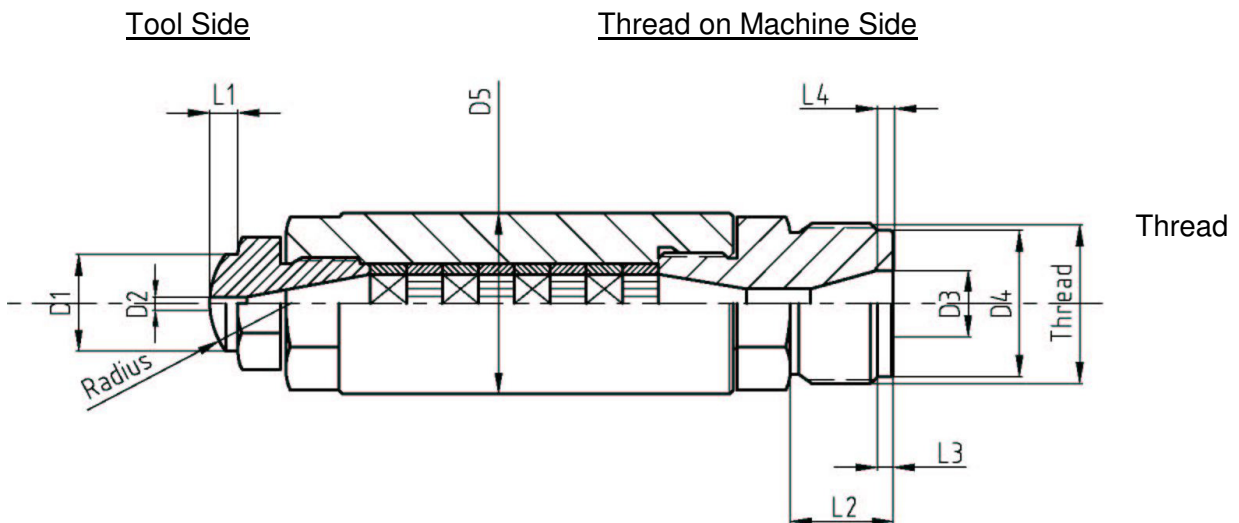


**Specification Sheet for Dimensions of SMN Nozzle**

Stamixco Mixing Nozzle Type	
Project-No. / Order-No. :	
Maschine / -Type	
Company	
Street	
ZIP - City	
Phone / Fax Number	
E-Mail Address	



	Tool Side					Thread Maschine Side					
	D1	D2	L1	Radius	D5 max.	L2	L3	L4	D3	D4	Thread
Dimensions in mm											
Tolerance											

**Additional Information:**